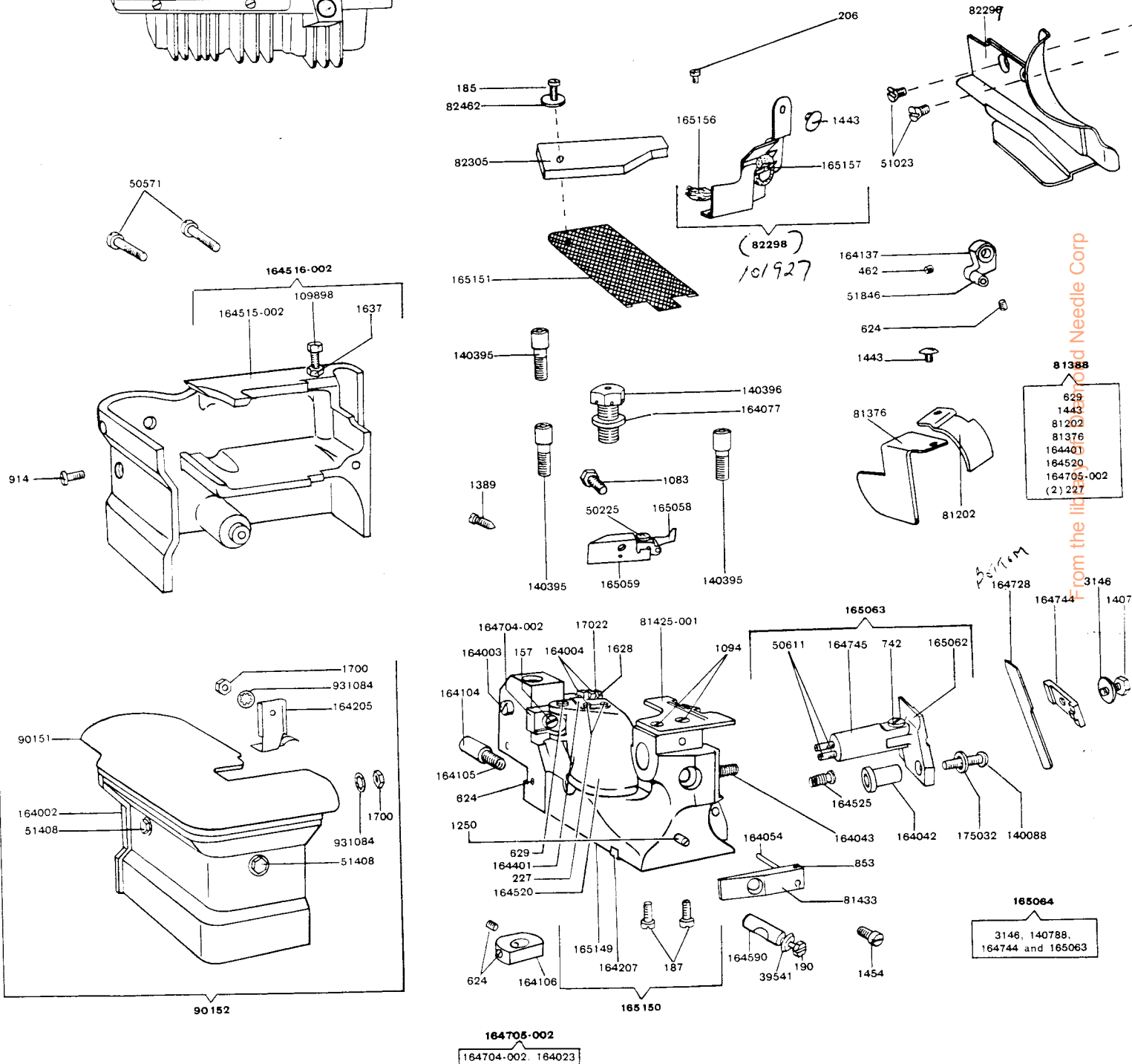
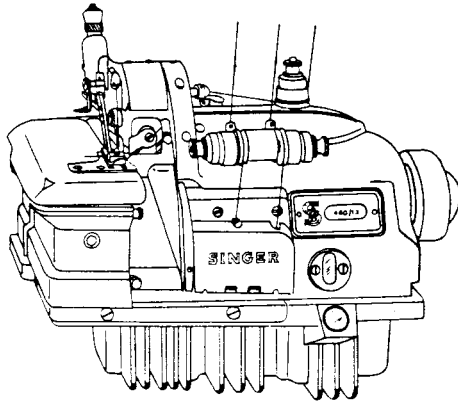


SINGER

460/13

SINGER* 460/13

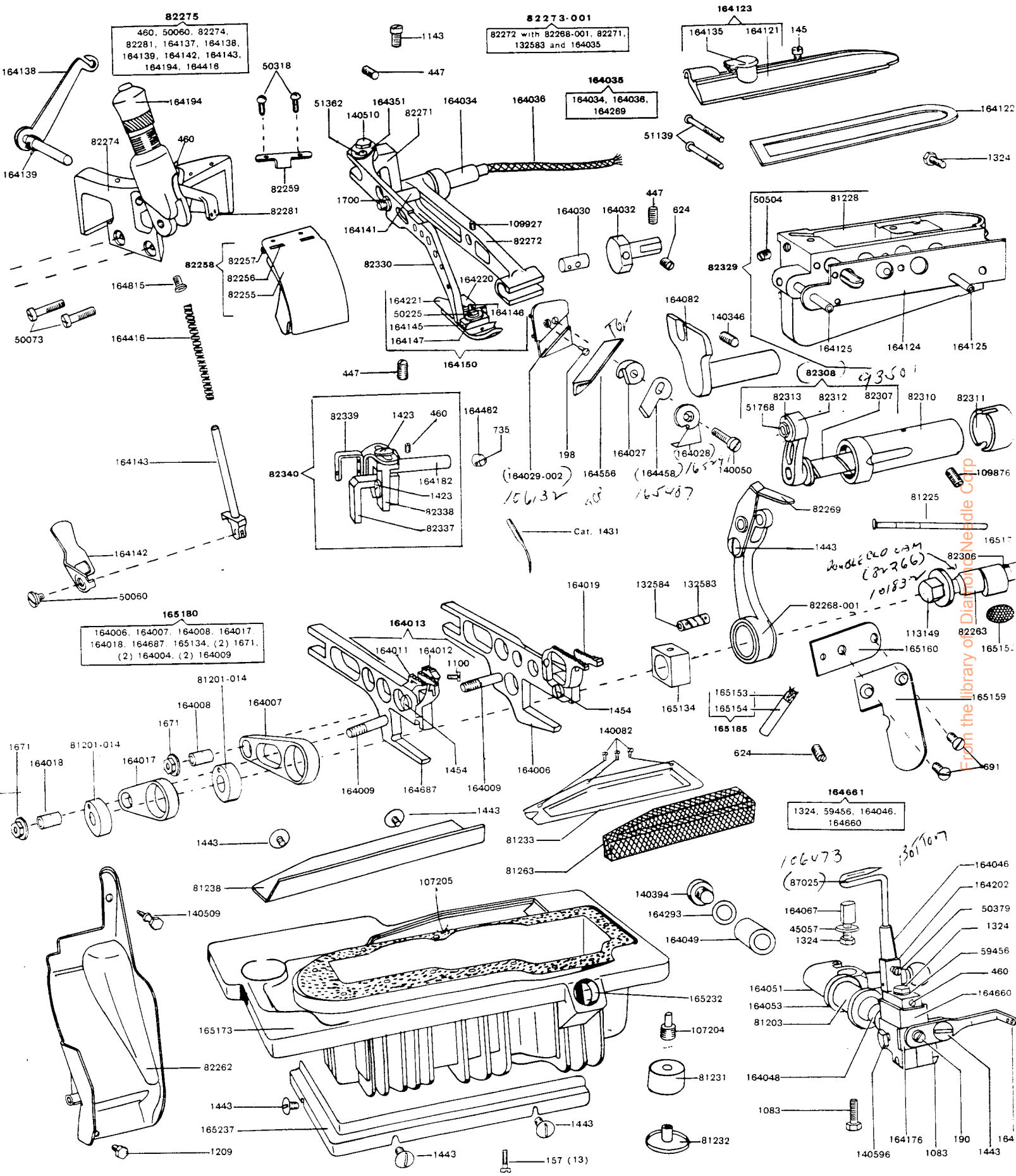


From the Singer Sewing Machine Needle Corp

LIST OF PARTS FOR 460/13 MACHINE

Part No.	Description	Part No.	Description
145(809)	Oil Cooler Cover Screw	1443(809)	Thread (needle) Controller Screw
157(803)	Feed Eccentric Cover Bracket Screw	1454(806)	Feed (back) Dog Screw
157(830)	Needle Driving Shaft Crank Connection Cap (lower) Screw	1454(806)	Feed (front) Dog Screw
157(803)	Oil Reservoir Screw	1454(805)	Throat Plate Guide Screw
171(830)	Needle Driving Shaft Crank Connection Cap (upper) Screw	1485(809)	Machine Frame Oil Drip Sight Gauge Window Retainer Screw
185(809)	Machine Frame Bracket Oil Screen Screw	1607(809)	Thread (looper, right hand) Thread Eyelet (stationary) Nut
187(805)	Machine Frame Bracket Key Screw	1628(803)	Feed Bar Slide Block (back) Nut
187(805)	Thread (looper, right hand) Stripper and Take-up Screw	1628(809)	Looper (right hand) Carrier Connecting Link Adjusting Screw (front) Stop Screw Nut
190(805)	Knife (stationary) and Needle Guard Holder Adjusting Stud Cap Screw	1637(819)	Presser Bar Lifting Lever Stop Screw Nut
190(805)	Thread (looper) Take-up Screw (lower)	1671(803)	Feed (back) Bar Connection Hinge Screw Stud Nut
198(809)	Knife (movable) Holder Screw	1671(803)	Feed (front) Bar Connection Hinge Screw Stud Nut
206(809)	Machine Frame Oil Splash Guard (Internal) Screw (bottom)	1698(809)	Machine Frame Oil Lead Screw Nut
227(809)	Feed Eccentric Cover Latch Spring Screw	1700(809)	Cloth Plate Extension Screw Nut
330(809)	Machine Frame Top Cover Oil Lead Screw	1700(809)	Cloth Plate Lock Spring Nut
332(809)	Thread (looper) Plate Cover Spring Screw	1700(809)	Cloth Plate Position Screw Nut
442(830)	Looper (right hand) Carrier Connecting Link Adjusting Screw (front) Stop Screw	1700(809)	Looper (right hand) Locking Screw Stud Nut
447(830)	Knife (movable) Lever Bearing Set Screw (long)	1700(809)	Presser Bar (swing-out) Lifting Screw Stud Nut
447(830)	Knife (movable) Lever Guide Holder Thread Tube Set Screw (Machine Frame End)	2102	Tension (heavy) Disc
447(830)	Knife (movable) Lever Hinge Stud Set Screw (back)	2102	Tension (light) Disc
448(830)	Machine Pulley Set Screw	3146	Knife (stationary) Clamping Gib Screw Washer
460(830)	Knife (movable) Lever Guide Thread Tube Set Screw	17022	Feed Bar Slide Block (back) Nut Washer
460(830)	Looper (left hand) Carrier Screw Set Screw	17022	Thread (looper, right hand) Stripper and Take-up Screw Washer
460(830)	Thread Eyelet (needle thread) Set Screw	39541	Knife (stationary) and Needle Guard Holder Adjusting Stud Cap Screw Washer
462(830)	Presser Bar Lifting Bracket Set Screw (short)	39541	Machine Frame Oil Lead Screw Washer
624(830)	Cloth Plate Plunger Set Screw	45057	Looper (left hand) Driving Shaft Crank Key Screw Washer
624(830)	Cloth Plate Position Collar Set Screw	45057	Looper (right hand) Driving Shaft Crank Key Screw Washer
624(830)	Knife (movable) Lever Bearing Set Screw (short)	50060(810)	Presser Bar (swing-out) Opening Lever Hinge Screw
624(830)	Machine Frame Oil Tube Set Screw	50073(809)	Knife (movable) Lever Cover and Presser Bar (upright) Housing Screw
624(830)	Presser Bar Lifting Bracket Set Screw (long)	50133(803)	Tension (heavy) Screw Stud
624(830)	Thread (looper, right hand) Tube Set Screw	50133(803)	Tension (light) Screw Stud
629(810)	Feed Eccentric Cover Hinge Screw	50169(809)	Presser Bar Guide Screw (not illustrated)
691(803)	Machine Frame Wearing Plate Screw	50225(809)	Needle Guard Screw
735(830)	Lint Stripper Screw	50225(809)	Presser Foot Clamping Plate Screw
742(806)	Knife (stationary) and Needle Guard Holder Screw	50318	Knife (movable) Hinge Cover Screw
853(830)	Looper (left hand) Thread Tube Set Screw	50318(818)	Thread (looper) Plate Thread Bushing Screw
896(830)	Thread (looper) Plate Screw	50379(806)	Looper (left hand) Set Screw
904(830)	Looper (right hand) Position Collar Set Screw	50504(830)	Oil Cooler Plug Screw
914(809)	Machine Frame Cover (back) Screw (short)	50571(809)	Machine Frame Cover (back) Screw (long)
1036(830)	Machine Frame Rotary Shaft Bushing (front) Set Screw	50611(803)	Knife (stationary) and Needle Guard Holder Position Screw
1036(830)	Machine Frame Rotary Shaft Counterbalance Set Screw	51023(818)	Machine Frame Oil Splash Guard (top) Screw
1083(803)	Looper (left hand) Driving Shaft Crank Clamping Screw	51139(809)	Oil Cooler Screw (long)
1083(803)	Looper (left hand) Carrier Holder Clamping Screw	51306(805)	Presser Foot Chain Knife Screw
1083(803)	Looper (right hand) Driving Lever Clamping Screw	51332(803)	Machine Frame Rotary Shaft Bushing (Intermediate) Set Screw
1083(803)	Looper (right hand) Driving Shaft Crank Clamping Screw	51362(830)	Presser Bar (swing-out) Pivot Screw Locking Plate Screw
1083(803)	Needle Driving Shaft Crank Clamping Screw	51369(803)	Machine Frame Rotary Shaft Ball Bearing Housing Screw
1083(805)	Needle Guard Holder Screw	51369(809)	Machine Frame Top Cover Screw
1094(806)	Throat Plate Screw	51408(830)	Cloth Plate Extension Screw
1100(830)	Feed (back) Dog Section (right) Screw	51408(830)	Cloth Plate Position Screw
1143(830)	Knife (movable) Lever Hinge Stud Set Screw (top)	51768	Needle Clamping Nut
1209(809)	Chip Guard Screw (lower)	51846	Presser Bar Lifting Bracket Roller and Stud
1250(830)	Cloth Plate Lock Spring Screw Stud	59456	Looper (left hand) Carrier Holder Washer
1324(830)	Looper (left hand) Carrier Screw	59537	Tension (heavy) Spring Bushing
1324(830)	Looper (left hand) Driving Shaft Crank Key Screw	59537	Tension (light) Spring Bushing
1324(805)	Looper (right hand) Driving Shaft Crank Key Screw	81201-014	Feed (back) Eccentric
1324(809)	Oil Cooler Screw (short)	81201-014	Feed (front) Eccentric
1389(830)	Feed Bar Hinge Pin Set Screw	81202	Feed Eccentric Cover Bracket Oil Cover
1423	Knife (movable) Lever Guide and Needle Thread Bridge Bracket Screw	81203	Looper (left hand) Driving Shaft Bushing (front)
1423	Knife (movable) Lever Guide and Needle Thread Eyelet Screw	81204	Looper (right hand) Driving Shaft Bushing (front)
1443(819)	Oil Reservoir Lint Guard (back) Clamping Screw	81206	Machine Frame Oil Drip Sight Gauge (background) Disc
1443(819)	Oil Reservoir Lint Guard (front) Clamping Screw	81207	Machine Frame Oil Drip Sight Gauge Tube and Support
1423(809)	Thread (looper, right hand) Thread Eyelet Screw	81209-002	Machine Frame Oil Lead Tube Support
1443(809)	Feed Eccentric Cover Bracket Oil Cover Screw	81223	Machine Frame Rotary Shaft Ball Sleeve (two pieces)
1443(809)	Machine Frame Oil Splash Guard (Internal) Screw (top)	81224	Machine Frame Rotary Shaft Oil Hole Plug
1443(809)	Thread (looper, right hand) Stripper and Take-up Eyelet (adjustable) Screw	81225	Machine Frame Rotary Shaft Oil Metering Pin (Internal)
1443(809)	Thread (looper) Take-up Screw (upper)	81226-002	Machine Frame Top Cover Oil Lead Oil Agitator (right hand)
		81227	Oil Cooler
		81228	Oil Cooler
		81231	Machine Cushion (large)
		81232	Machine Mounting Post
		81233	Oil Reservoir Oil Sump Screen Cover
		81237	Oil Agitator (left hand)
		81238	Oil Reservoir Lint Guard (back)
		81263	Oil Reservoir Oil Sump Screen
		81376	Feed Eccentric Cover Bracket Splash Guard
		81382-002	Machine Frame Top Cover 164101 with 330(809), 81226-002 and two 164418
		81388	Feed Eccentric Cover, Nos. 629(810), 1443(809), 81202, 81376, 164401, 164520, 164705-002 and two 227(809)

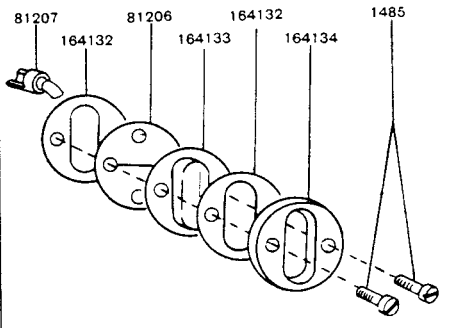
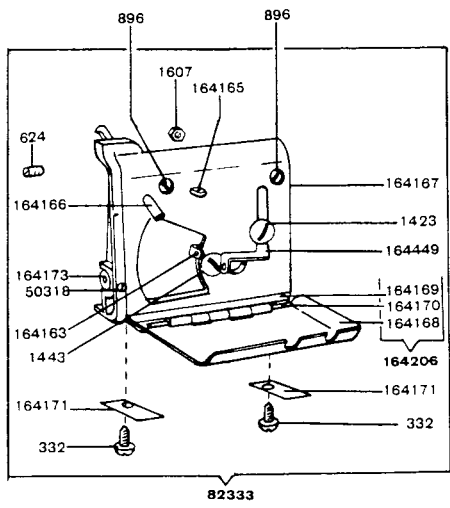
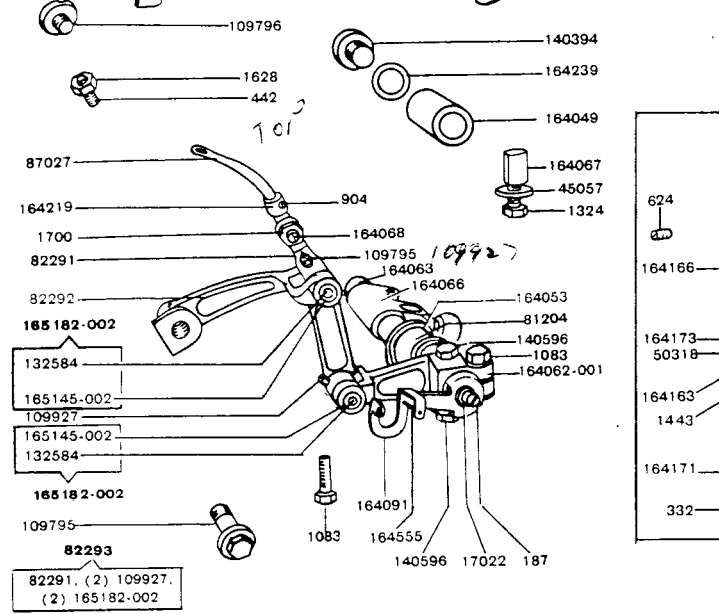
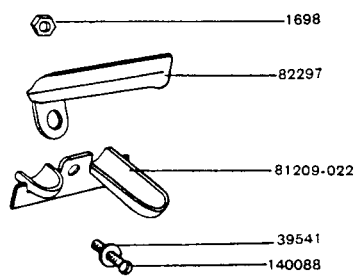
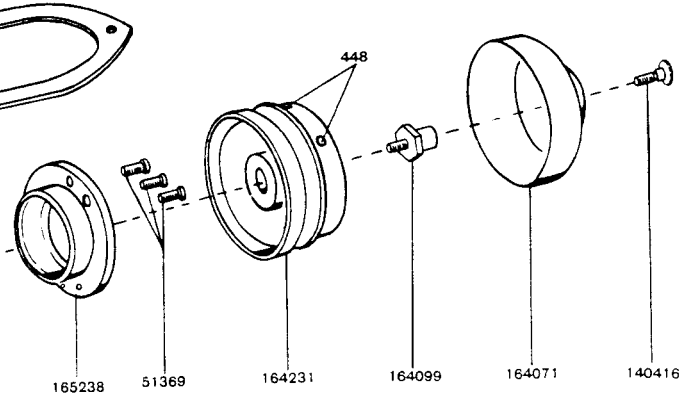
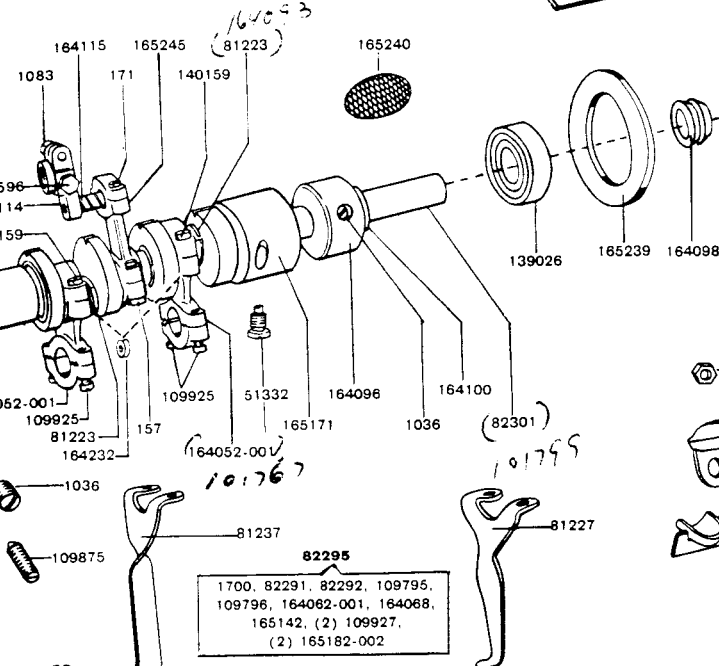
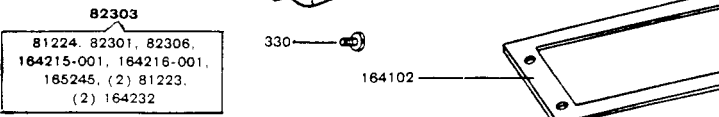
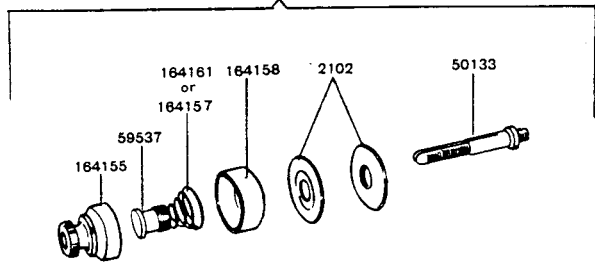
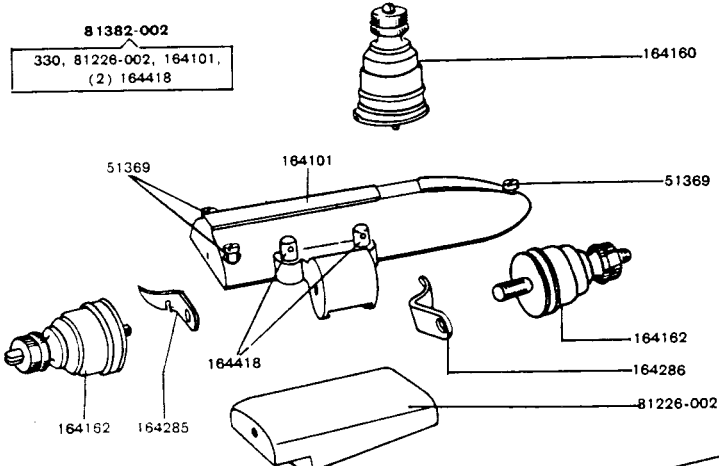
From the library of: Diamond Needle Corp



From the library of Dialysis Needle Corp

Part No.	Description
81425-001	Throat Plate
81433	Throat Plate Guide with 853(830)
82255	Knife (movable) Hinged Cover
82256	Knife (movable) Hinged Cover Hinge
82257	Knife (movable) Hinged Cover Pin
82258	Knife (movable) Hinged Cover 82255 with 82256 and 82257
82259	Knife (movable) Hinged Cover Spring
82262	Chip Guard
82263	Feed Lifting and Knife (movable) Eccentric
82268-001	Thread (needle) Controller Lever
82269	Thread (needle) Controller
82271	Presser Bar Bracket
82272	Knife (movable) Lever with 109927(869)
82273-001	Knife (movable) Lever 82272 with 82268-001, 82271, 132583 and 164035
82274	Knife (movable) Lever Cover and Presser Bar (upright) Housing with 460(830)
82275	Knife (movable) Lever Cover and Presser Bar (upright) Housing complete Nos. 50060(810), 82281, 82274, 460(830), 164137, 164138, 164139, 164142, 164143, 164194 and 164416
82281	Thread Eyelet (needle thread)
82291	Looper (right hand) Carrier
82292	Looper (right hand) Carrier Connecting Link
82293	Looper (right hand) Carrier 82291 with two 109927(869) and 165182-002
82295	Looper (right hand) Driving Lever complete
82297	Machine Frame Oil Lead
82298	Machine Frame Oil Splash Guard (internal) complete
82299	Machine Frame Oil Splash Guard (top)
82301	Machine Frame Rotary Shaft
82303	Machine Frame Rotary Shaft 82301 with 81224, 82306, 164215-001, 164216-001, 165245, two each 81223 and 164232
82305	Machine Frame Bracket and Cover (back) Gasket
82306	Machine Frame Rotary Shaft Key
82307	Needle Driving Shaft with 82309
82308	Needle Driving Shaft 82307 with 51768(803), 82312 and 82313
82309	Needle Stop Pin
82310	Needle Driving Shaft Bushing
82311	Needle Driving Shaft Bushing Cap
82312	Needle Holder
82313	Needle Holder Washer
82329	Oil Cooler, Nos. 81228, 50504(830) and two 164125
82330	Presser Bar (swing-out)
82333	Thread (Looper) Plate complete, Nos. 1423(809), 1443(809), 1607(809), 50318(818), 164449, 164163, 164165, 164166, 164167, 164173, 164206 and two each 332(809) and 164171
82337	Knife (movable) Lever Guide
82338	Knife (movable) Lever Guide and Needle Thread Bridge Bracket
82339	Knife (movable) Lever Guide and Needle Thread Bridge Eyelet
82340	Knife (movable) Lever Guide 82337 with 460, 82338, 82339, 164182 and two 1423
82462	Machine Frame Bracket Oil Screen Screw Washer
87025	Looper (left hand)
87027	Looper (right hand)
90151	Cloth Plate
90152	Cloth Plate with Extension complete, Nos. 90151, 164002, 164205, two 931084 and three each 1700(809) and 51408(830)
107204	Oil Reservoir Drain Plug
107205	Oil Reservoir Gasket
109795(803)	Looper (right hand) Carrier Connecting Link Adjusting Screw (front)
109796(803)	Looper (right hand) Carrier Connecting Link Adjusting Sleeve Cap Screw (back)
109875(803)	Machine Frame Rotary Shaft Bushing (front) By Pass Oil Control Screw
109876	Needle Driving Shaft Bushing Locating Screw
109898(803)	Presser Bar Lifting Lever Stop Screw
109925(830)	Looper (left hand) Driving Shaft Crank Connection Cap (lower) Screw
109925(830)	Looper (right hand) Driving Shaft Crank Connection Cap (lower) Screw
109927(869)	Knife (movable) Lever Hinge Pin Set Screw
109927(869)	Looper (right hand) Carrier Connecting Link Hinge Pin Set Screw
109927(869)	Looper (right hand) Carrier Hinge Pin Set Screw
113149	Machine Frame Rotary Shaft Nut
132583	Knife (movable) Lever Hinge Pin
132584	Knife (movable) Lever Hinge Pin Oil Wick
132584	Looper (right hand) Carrier Connecting Link Hinge Pin Oil Wick
132584	Looper (right hand) Carrier Hinge Pin Oil Wick
139026	Machine Frame Rotary Shaft Ball Bearing
140050(803)	Knife (movable) Clamp Screw

Part No.	Description
140082(805)	Oil Reservoir Oil Sump Screen Cover Screw
140088(805)	Knife (stationary) and Needle Guard Holder Sleeve Screw
140088(813)	Machine Frame Oil Lead Screw
140159(830)	Looper (left hand) Driving Shaft Crank Connection Cap (upper) Screw
140159(830)	Looper (right hand) Driving Shaft Crank Connection Cap (upper) Screw
140346(830)	Machine Frame Oil Plug Bracket Set Screw
140393(830)	Looper (left hand) Carrier Holder Set Screw (right) (not illustrated)
140394(805)	Looper (left hand) Driving Shaft Bushing (back) Cap Screw
140394(805)	Looper (right hand) Driving Shaft Bushing (back) Cap Screw
140395(805)	Machine Frame Bracket Screw (small)
140396(805)	Machine Frame Bracket Screw (large)
140416(819)	Machine Pulley Cap Screw
140509(809)	Chip Guard Screw (upper)
140510(803)	Presser Bar (swing-out) Pivot Screw
140596(830)	Looper (left hand) Carrier Holder Set Screw (left)
140596(830)	Looper (right hand) Driving Lever Set Screw
140596(830)	Needle Driving Shaft Crank Set Screw
140788(803)	Knife (stationary) Clamping Gib Screw
164002	Cloth Plate Extension
164003	Feed Bar Hinge Pin (eccentric)
164004	Feed Bar Slide Block (back)
164006	Feed (front) Bar with 164010
164007	Feed (back) Bar Connection
164008	Feed (back) Bar Connection Bearing
164009	Feed (back) Bar Connection Hinge Screw Stud
164009	Feed (front) Bar Connection Hinge Screw Stud
164010	Feed (back) Bar Connection Hinge Screw Stud Position Pin (not illustrated)
164010	Feed (front) Bar Connection Hinge Screw Stud Position Pin
164011	Feed (back) Dog Section (left)
164012	Feed (back) Dog Section (right)
164013	Feed (back) Dog complete, Nos. 1100(830), 164011 and 164012
164017	Feed (front) Bar Connection
164018	Feed (front) Bar Connection Bearing
164019	Feed (front) Dog
164023	Feed Eccentric Oil Wick
164027	Knife (movable) Clamp
164028	Knife (movable) Guard (lower)
164029-002	Knife (movable) Holder
164030	Knife (movable) Holder Screw Bearing
164032	Knife (movable) Lever Bearing
164034	Knife (movable) Lever Hinge Stud
164035	Knife (movable) Lever Hinge Stud 164034 with 164036 and 164269
164036	Knife (movable) Lever Hinge Stud Oil Wick (long)
164042	Knife (stationary) and Needle Guard Holder Sleeve
164043	Knife (stationary) and Needle Guard Holder Spring
164046	Looper (left hand) Carrier with 460(830), 50379(806) and 164202
164048	Looper (left hand) Driving Shaft
164049	Looper (left hand) Driving Shaft Bushing (back)
164049	Looper (right hand) Driving Shaft Bushing (back)
164051	Looper (left hand) Driving Shaft Crank with 1083(803)
164052-001	Looper (left hand) Driving Shaft Crank Connection with two each 109925(830) and 140159(830)
164052-001	Looper (right hand) Driving Shaft Crank Connection with two each 109925(830) and 140159(830)
164053	Looper (left hand) Driving Shaft Crank Thrust Bearing
164053	Looper (right hand) Driving Shaft Crank Thrust Bearing
164054	Looper (left hand) Thread Tube
164062-001	Looper (right hand) Driving Lever with 1083(803) and two 140596(830)
164063	Looper (right hand) Driving Shaft
164066	Looper (right hand) Driving Shaft Crank with 1083(830)
164067	Looper (left hand) Driving Shaft Crank Key
164067	Looper (right hand) Driving Shaft Crank Key
164068	Looper (right hand) Locking Screw Stud
164071	Machine Pulley Cap
164077	Machine Frame Bracket Screw (large) Washer (fibre)
164082	Machine Frame Oil Plug Bracket
164091	Thread (Looper, right hand) Stripper and Take-up with 164555
164096	Machine Frame Rotary Shaft Counterbalance with 1036(830)
164098	Machine Frame Rotary Shaft Oil and Ball Bearing Grease Retainer
164099	Machine Frame Rotary Shaft Screw Stud
164100	Machine Frame Rotary Shaft Thrust Bearing
164101	Machine Frame Top Cover
164102	Machine Frame Top Cover Gasket
164104	Cloth Plate Plunger
164105	Cloth Plate Plunger Spring



Part No.	Description
164106	Cloth Plate Position Collar with two 624(830)
164114	Needle Driving Shaft Crank with 1083(803) and two 140596(830)
164115	Needle Driving Shaft Crank Ball
164121	Oil Cooler Cover
164122	Oil Cooler Cover Gasket
164123	Oil Cooler Cover 164121 with 164135
164124	Oil Cooler Gasket
164125	Oil Cooler Oil Pipe (Outlet) (left and right)
164132	Machine Frame Oil Drip Sight Gauge Window Gasket
164133	Machine Frame Oil Drip Sight Gauge Window
164134	Machine Frame Oil Drip Sight Gauge Window Retainer
164135	Oil Cup (for filling machine)
164137	Presser Bar Lifting Bracket with 462(830), 624(830) and 51646
164138	Presser Bar Lifting Lever
164139	Presser Bar Lifting Lever Spring
164141	Presser Bar (swing-out) Lifting Screw Stud
164142	Presser Bar (swing-out) Opening Lever
164143	Presser Bar (upright)
164144	Presser Bar (upright) Spring (not illustrated)
164145	Presser Foot Body
164146	Presser Foot Chaining-off Finger
164147	Presser Foot Clamping Plate
164149	Presser Foot Guide (not illustrated)
164150	Presser Foot with Chain Cutter, complete, Nos. 50169(809), 50225(809), 51306(805), 164145, 164146, 164147, 164149, 164220 and 164221
164155	Tension (heavy) Regulating Thumb Nut
164155	Tension (light) Regulating Thumb Nut
164156	Tension (heavy) Screw Stud 50133 with 164155
164156	Tension (light) Screw Stud 50133 with 164155
164157	Tension (light) Spring
164158	Tension (heavy) Spring Cover
164158	Tension (light) Spring Cover
164159	Tension (needle thread) Thread Guide
164160	Tension (light) complete, Nos. 59537, 164156, 164157, 164158 and two 2102
164161	Tension (heavy) Spring
164162	Tension (heavy) complete, Nos. 59537, 164156, 164158, 164161 and two 2102
164163	Thread (looper, right hand) Stripper and Take-up Eyelet (adjustable)
164165	Thread (looper, right hand) Thread Eyelet (stationary)
164166	Thread (looper, right hand) Tube
164167	Thread (looper) Plate with 624(830)
164168	Thread (looper) Plate Cover
164169	Thread (looper) Plate Cover Hinge
164170	Thread (looper) Plate Cover Hinge Pin
164171	Thread (looper) Plate Cover Spring
164173	Thread (looper) Plate Thread Bushing
164175	Thread (looper) Take-up (left)
164176	Thread (looper) Take-up Plate
164182	Knife (movable) Lever Guide Holder Thread Tube
164194	Pressure Regulating Thumb Screw
164202	Looper (left hand) Stop Pin
164205	Cloth Plate Lock Spring
164206	Thread (looper) Plate Cover 164168 with 164169 and 164170
164207	Machine Frame Bracket Key
164215-001	Looper (left hand) Driving Shaft Crank 164051 with 164052-001
164216-001	Looper (right hand) Driving Shaft Crank 164066 with 164052-001
164219	Looper (right hand) Position Collar with 904(830)
164220	Presser Foot Chain Cutter Friction Plate
164221	Presser Foot Chain Knife
164231	Machine Pulley with two 448(830)
164232	Machine Frame Rotary Shaft Ball Sleeve Guide
164269	Knife (movable) Lever Hinge Stud Oil Wick (short) (not illustrated)
164285	Tension (looper thread) Thread Guide (left)
164286	Tension (looper thread) Thread Guide (right)
164293	Looper (left hand) Driving Shaft Bushing (back) Cap Screw Washer
164293	Looper (right hand) Driving Shaft Bushing (back) Cap Screw Washer
164351	Presser Bar (swing-out) Pivot Screw Locking Plate
164401	Feed Eccentric Cover Latch Spring
164416	Presser Bar (upright) Spring (heavy)
164418	Tension Thread Eyelet
164449	Thread (looper, right hand) Thread Eyelet (movable)
164458	Knife (movable) Guard (upper)
164462	Lint Stripper with 735(830)
164515-002	Machine Frame Cover (back)
164516-002	Machine Frame Cover (back) 164515-002 with 1637(819) and 109898(803)
164520	Feed Eccentric Cover
164525	Knife (stationary) and Needle Guard Holder Spring Stud
164555	Thread (looper, right hand) Stripper and Take-up Guide Wire
164556	Knife (movable)
164590	Knife (stationary) and Needle Guard Holder Adjusting Stud

Part No.	Description
164660	Looper (left hand) Carrier Holder with 1083(803), 140393(803) and 140596(830)
164661	Looper (left hand) Carrier Holder 164660 with 1324(830), 59456 and 164046
164687	Feed (back) Bar with 164010
164704-002	Feed Eccentric Cover Bracket
164705-002	Feed Eccentric Cover Bracket 164704-002 with 164023
164728	Knife (stationary)
164744	Knife (stationary) Clamping Gib
164745	Knife (stationary) and Needle Guard Holder Body with two 50611(803)
164815	Presser Bar (upright) Spring Spacing Collar
165058	Needle Guard
165059	Needle Guard Holder
165062	Knife (stationary) and Needle Guard Holder
165063	Knife (stationary) and Needle Guard Holder (adjustable) complete, Nos. 742(806), 164745 and 165062
165064	Knife (stationary) and Needle Guard Holder (adjustable) with Gib, complete, Nos. 3146, 140788(803), 164744 and 165063
165134	Feed Bar Slide Block (front)
165142	Looper (right hand) Carrier Connecting Link Adjusting Sleeve (not illustrated)
165145-002	Looper (right hand) Carrier Connecting Link Hinge Pin
165145-002	Looper (right hand) Carrier Hinge Pin
165149	Machine Frame Bracket
165150	Machine Frame Bracket 165149 with 164207 and two 187(805)
165151	Machine Frame Bracket Oil Screen
165152	Machine Frame Oil Screen
165153	Machine Frame Oil Tube
165154	Machine Frame Oil Tube Wick
165156	Machine Frame Oil Splash Guard (internal) Oil Wick
165157	Machine Frame Oil Splash Guard (internal) Oil Wick Fastener
165159	Machine Frame Wearing Plate
165160	Machine Frame Wearing Plate Spacer
165170	Machine Frame Rotary Shaft Bushing (front)
165171	Machine Frame Rotary Shaft Bushing (intermediate)
165173	Oil Reservoir with 165232
165180	Feed (back) and (front) Bars complete, Nos. 164006, 164007, 164008, 164017, 164018, 164687, 165134, two each 1671(803), 164004 and 164009
165182-002	Looper (right hand) Carrier Connecting Link Hinge Pin 165145-002 with 132584
165182-002	Looper (right hand) Carrier Hinge Pin 165145-002 with 132584
165185	Machine Frame Oil Tube Nos. 165153 and 165154
165232	Oil Reservoir Oil Sight Gauge (lucite)
165237	Oil Reservoir Lint Guard (front)
165238	Machine Frame Rotary Shaft Ball Bearing Housing
165239	Machine Frame Rotary Shaft Ball Bearing Housing Gasket
165240	Machine Frame Rotary Shaft Bushing (intermediate) Oil Screen
165245	Needle Driving Shaft Crank Connection with 164115
175032	Knife (stationary) and Needle Guard Holder Sleeve Screw Washer
931084	Cloth Plate Extension Screw Nut Lock Washer
931089	Cloth Plate Lock Spring Nut Lock Washer

PARTS CHART

FOR

SINGER

460/13

MACHINE